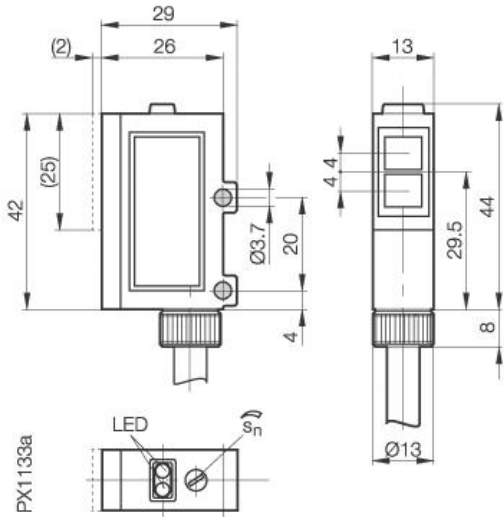


**Photoelectric Sensor**  
**BOS 15K-R-C50-02**  
**Sn=500mm**  
**Diffuse**



**Common Data**

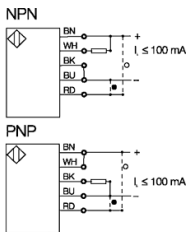
|                                     |                               |
|-------------------------------------|-------------------------------|
| Series                              | 15K                           |
| Sensortype                          | Diffuse                       |
| Switching frequency                 | 500 Hz                        |
| Rated operating distance Sn in mm   | 500                           |
| asured operating distance Sa        | 80% from Sn                   |
| Repeat accuracy                     | < 5% from Sn                  |
| Hysteresis                          | < 20%                         |
| Indication Supply Voltage           | no                            |
| Indication Switching element on     | yes, red LED                  |
| Indication Special funktion         | LED green Stability indicator |
| Ambient temperature                 | -15...+55°C                   |
| On-delay                            | < 1 ms                        |
| Off-delay                           | < 1 ms                        |
| Light                               | Infrared                      |
| Sensitivity Adjustment              | Poti                          |
| Blind zone / min Reflector distance | 1mm                           |
| Special funktion                    | Stabilization indicator       |
| Permissible ambient light           | 3000 Lux                      |
| Output funktion                     | light-on or dark-on           |

**Mechanical Data**

|                          |                                 |
|--------------------------|---------------------------------|
| Measurements             | 29x52x13                        |
| Shock                    | Halfsinus, 30gn, 11ms           |
| Vibration                | 10...55Hz, 1,5mm Amplitude 3x2h |
| Housing material         | ABS UL 94 V-O                   |
| Material of sensing face | PMMA                            |
| Degree of protection     | IP66                            |
| Connection               | Cable                           |
| Weigth                   | 85g                             |
| Type of Cable            | PVC                             |

**Electrical Data**

|                                     |                 |
|-------------------------------------|-----------------|
| Current                             | DC              |
| Switching funktion                  | NO/NC           |
| Output                              | PNP/NPN         |
| Rated operational voltage Ue        | 24V DC          |
| Rated operational current Ie        | 100mA           |
| Supply Voltage                      | 10...30V DC     |
| Ripple                              | max. 6% from UB |
| Frequency of Supply Voltage         | DC              |
| Voltage drop                        | <1,5V           |
| Short protection                    | yes             |
| Protected against polarity reversal | no              |
| Rated insulation voltage            | 75VDC           |
| max. Load capacity                  | 0,5 µF          |



Utilization categories  
 Insulation class

Datasheet number:

Definitions see general catalog.  
 If not otherwise noted, ratings according to  
 IEC 60947-5-2 (DIN EN60947-5-2)

Balluff GmbH  
 Schurwaldstrasse 9  
 73765 Neuhausen a.d.F.  
 Phone (07158) 173-0 Fax (07158) 5010

Datenblatt by CD-ROM - 04/2007

